

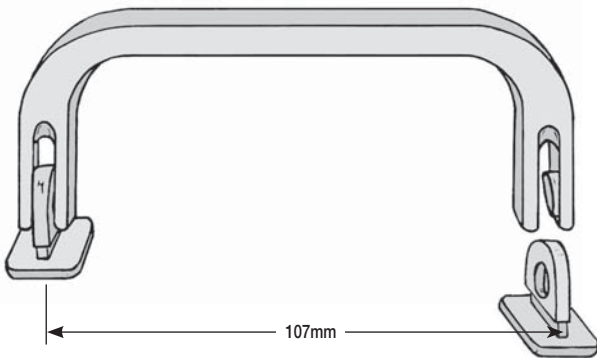


25 Years
Quality & Service

RIGID SWIVEL HANDLES

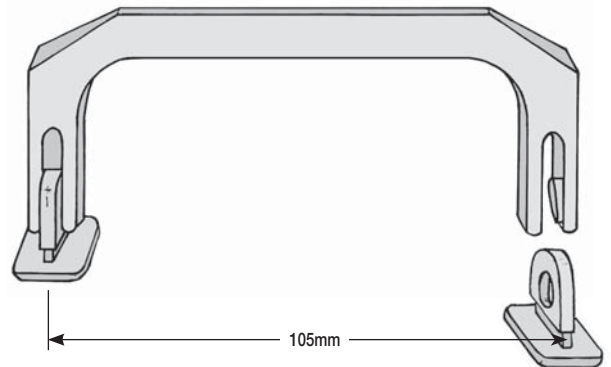
Ref: 80

- Rigid swivel lightweight handle
- For use with polypropylene, corrugated plastic & board cases
- Colours available: • Black • White • Red • Blue



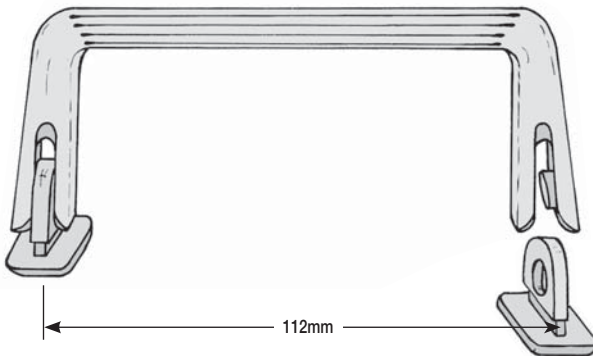
Ref: 89

- Rigid swivel lightweight handle
- For use with polypropylene, corrugated plastic & board cases
- Colours available: • Black • White • Red • Blue



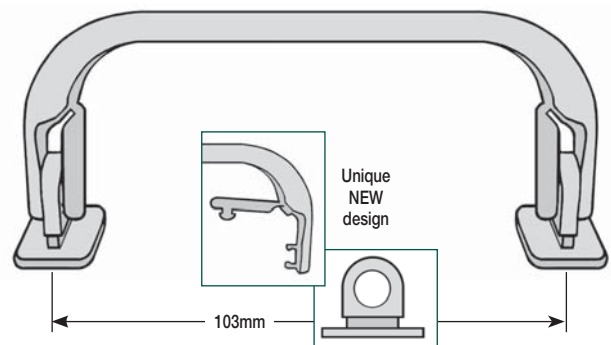
Ref: 82

- Rigid swivel lightweight handle
- For use with polypropylene, corrugated plastic & board cases
- Colours available: • Black • White • Red • Blue



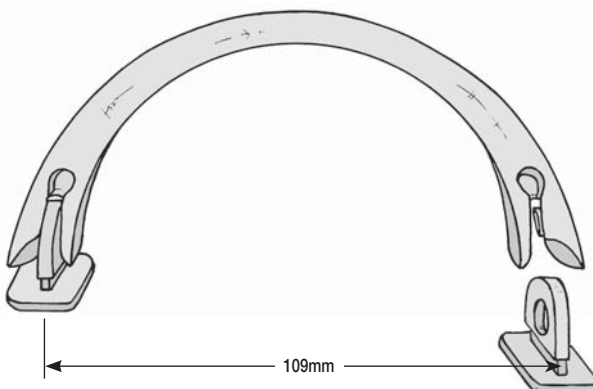
Atlantic Swivel

- Easy snap lock - New design
- Carries up to 20kg
- No tools required to fit



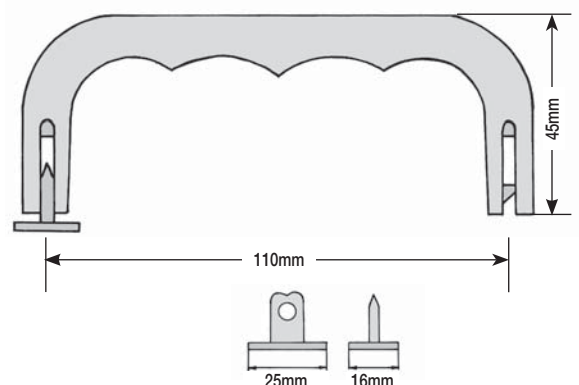
Ref: 85

- Rigid swivel lightweight handle
- For use with polypropylene, corrugated plastic & board cases
- Colours available: • Black • White • Red • Blue



EKS 921.0

- Swivel carrying handle
- Top loading
- Carries up to 8kg

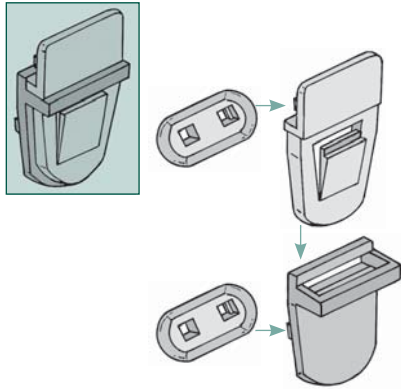


LOCKS & CLOSURES

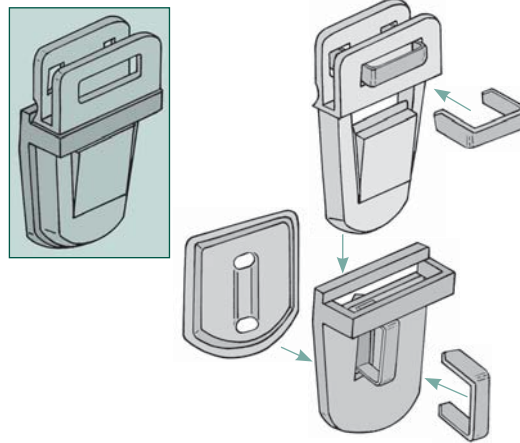
- All Swivel Handles, Locks and Closures are made from recyclable plastics
- All Locks and Closures* are suitable for 1.2mm to 2.5mm material thickness
- *Closure 300 supplied for either 1.2mm or 2.5mm material thickness

Closure 300

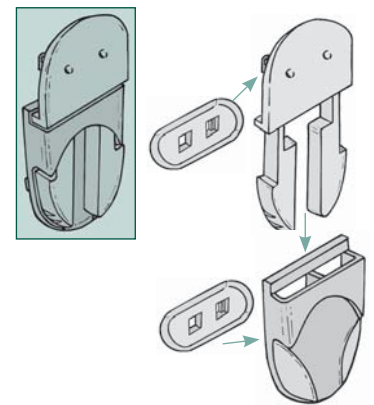
- Colours available: • Black • White • Red • Blue



Closure 310

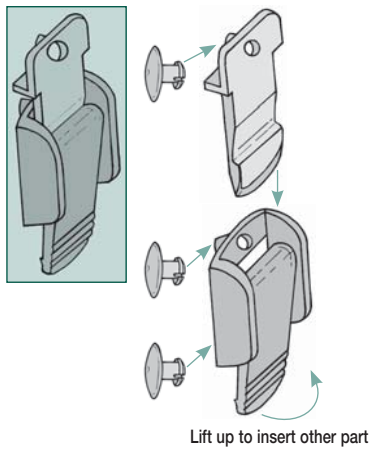


Closure 350

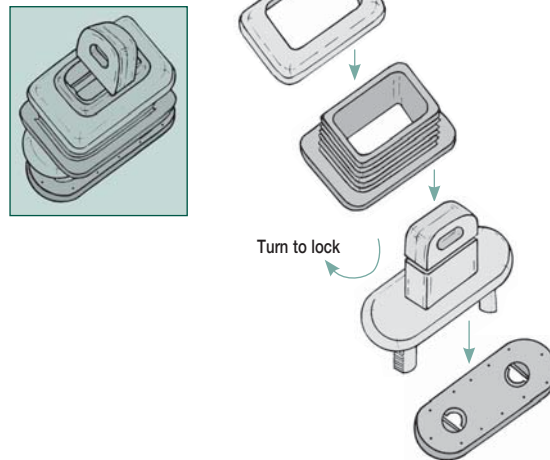


Closure 360

- For use with an assortment of boxes / cases requiring rigid swivel handles
- Colours available: • Black • White • Red • Blue

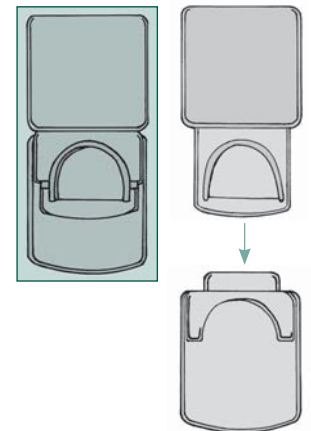


Turn-lock 380



EKS 922.0

- EKS 922.0 - Fastener



Closure 200

- Plastic catch for use with our range of handles



For more information please contact

ITEM PRODUCTS (NPD) LIMITED

101 PARK STREET, LUTON, BEDS LU1 3HG

Tel: 01582 391 898
 Fax: 01582 391 998
 Email: info@item-products.co.uk
 Web: www.item-products.co.uk