



# EURO K SERIES

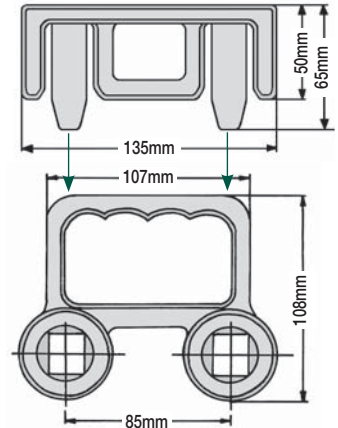
## HEAVY-DUTY SIDE MOUNTED HANDLES

All products in the EKS range are:

- Reusable
- Recyclable
- Robust
- These handles are designed for bulky cartons up to 75kg or fragile goods

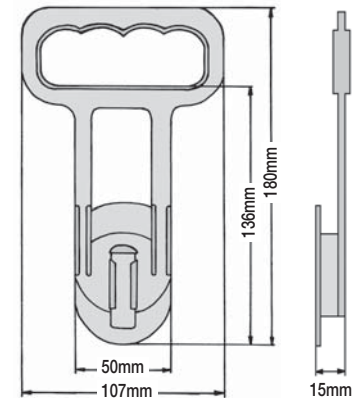
### EKS 598

- 3 sizes for board grades up to 7mm, 11mm, 16mm
- Dual fixings for increased stability
- Carries up to 75kg



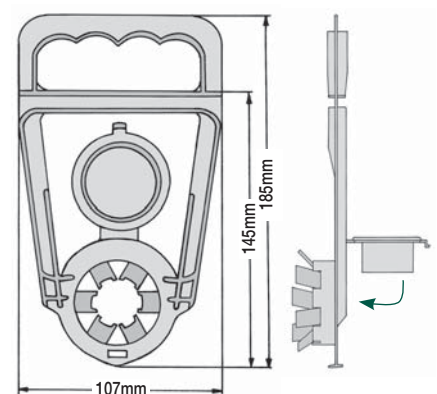
### EKS 594

- For board grades 5 to 7mm
- One piece component
- External only fitting suitable for pre-packed cartons
- Carries up to 45kg

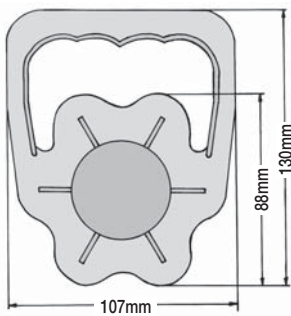


### EKS 200

- 3 sizes for board grades up to 7mm, 11mm, 16mm
- One piece component
- External only fitting suitable for pre-packed cartons
- Carries up to 55kg

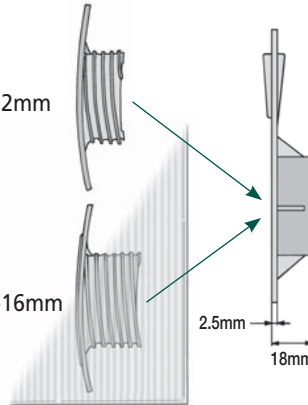


### EKS 572.0 EKS 572.3 Short Handle

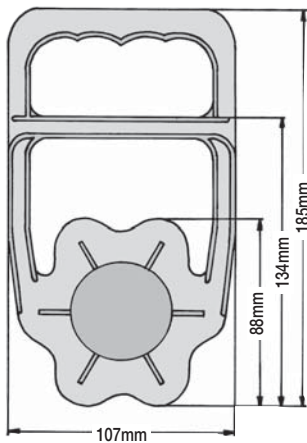


● EKS 572.0 – 5-12mm

● EKS 572.3 – 12-16mm

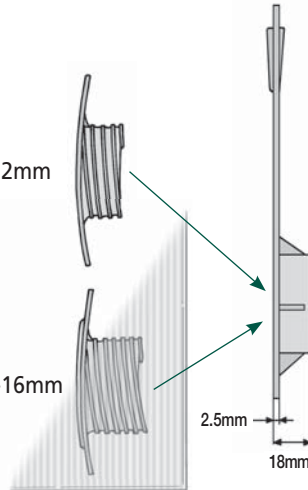


### EKS 572.1 EKS 572.4 Long Handle

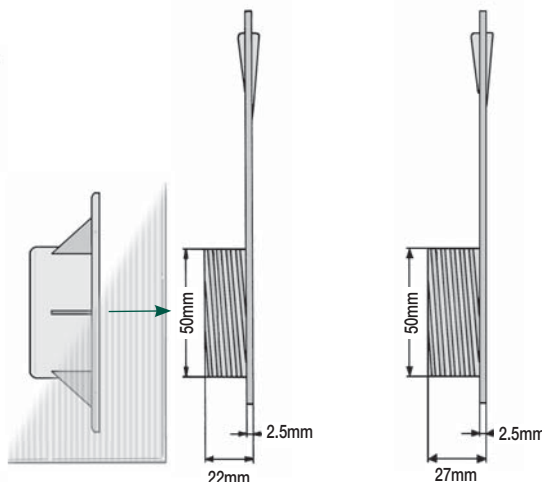
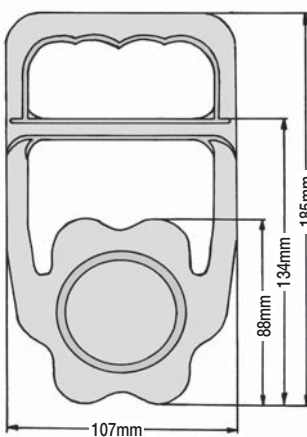


● EKS 572.1 – 5-12mm

● EKS 572.4 – 12-16mm



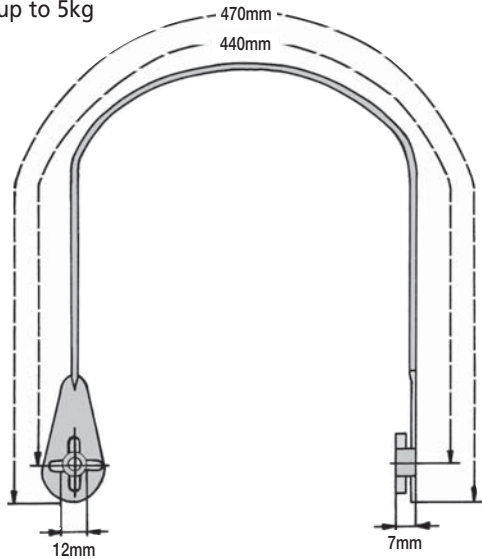
### EKS 572.2 EKS 572.5 Surface Flush Handle



● EKS 572.2 – 5-12mm ● EKS 572.5 – 12-16mm

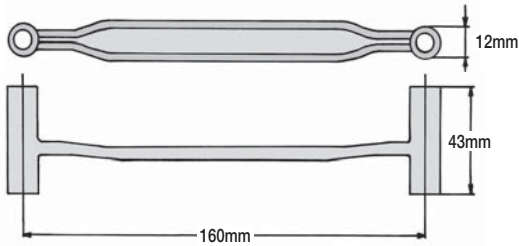
## EKS 170 Basket Style Handle

- EKS 170.0 – up to 2mm thickness
- Carries up to 5kg

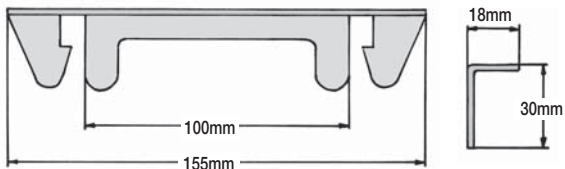


## EKS 565 Top Load Handle

- EKS 565.0 – Carries up to 45kg
- EKS 565.1 – Carries up to 70kg

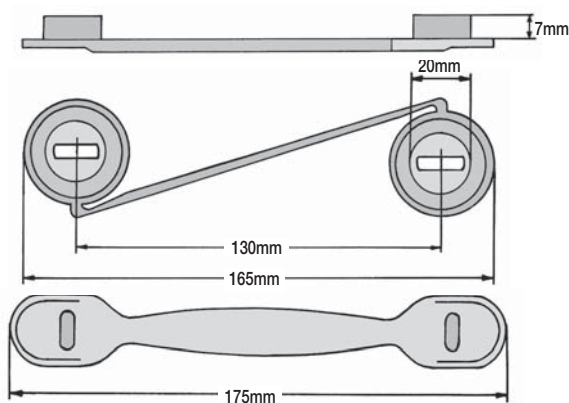


- Reinforcing element for use with EKS 565.0 & EKS 565.1



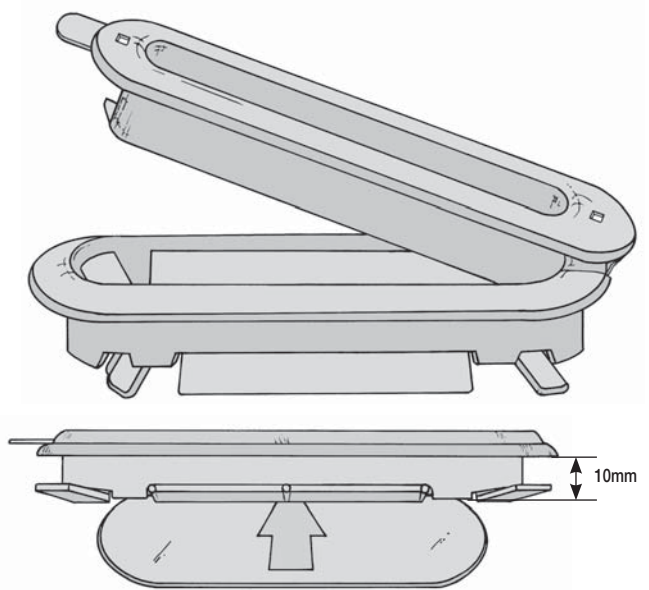
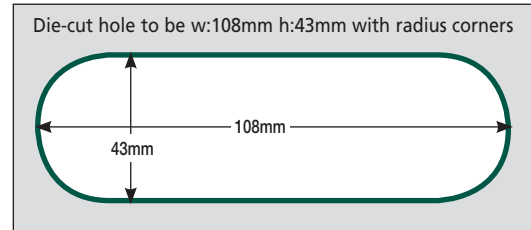
## EKS 275 Side Load Handle

- EKS 275.0 – up to 7mm wall thickness
- EKS 275.1 – up to 16mm wall thickness
- Carries up to 25kg



## EKS 999 Hand-Hold Protector

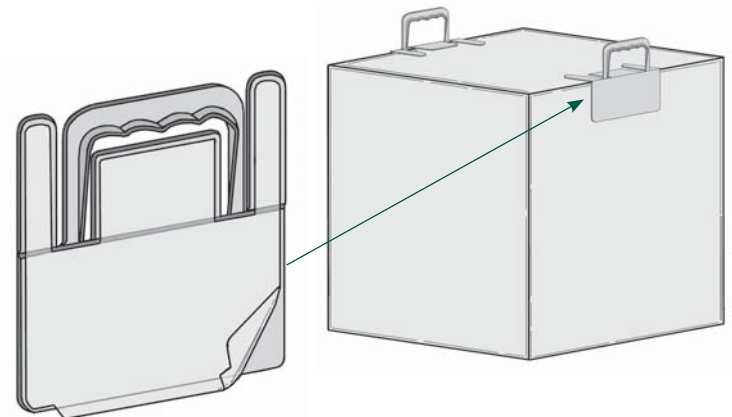
- Locking Hand-Hold Protector (HHP)
- Incorporating hinged dust excluder
- For up to 10mm board (or 2 x 5mm)
- Available in a range of colours



## EKS 104 Self-Adhesive Handle

### LIMPET

- Self-adhesive handle with easy peel release liner
- Carry weight per pair 25kg depending on carton material
- Adheres to two surfaces for added strength



- Limpet front view open with adhesive backing sheet in place and showing living hinges

For more information please contact

**ITEM PRODUCTS (NPD) LIMITED**

101 PARK STREET, LUTON, BEDS LU1 3HG

Tel: 01582 391 898

Fax: 01582 391 998

Email: [info@item-products.co.uk](mailto:info@item-products.co.uk)

Web: [www.item-products.co.uk](http://www.item-products.co.uk)